

Model	SS930/950/915, Ges5130/5170/5210, Rex1060/1070/1140	Volt/Hz	Date of Modification	Serial Number
Modified Article	Upper Master Feed Roller & Upper Reverse Roller			
Reason for Modification	To increase the master paper feeding ability			

Draw No.	Old Parts No.	New Parts No.	Description	A.B.C.	Q'ty Used Old → New	Inter- change- ability	Part needed for replacement by new part		Parts Catalog	
				Rank			Part No.	Description	Index No.	Page
	C2004181	C2074181	Upper Master Feed Roller		1 - 1	x/o			23	51
	C2034046	C2074046	Upper Reverse Roller		1 - 1	x/o			52	51

Rank: A : Replace with new parts immediately. B : Replace with new parts at time of repair. C : Replace with new parts at time of overhaul.

Interchangeability:

(1) When old and new parts are not mutually interchangeable, use additional parts or an assembly part as indicated in "Parts needed for replacement by new part" to install the new part.

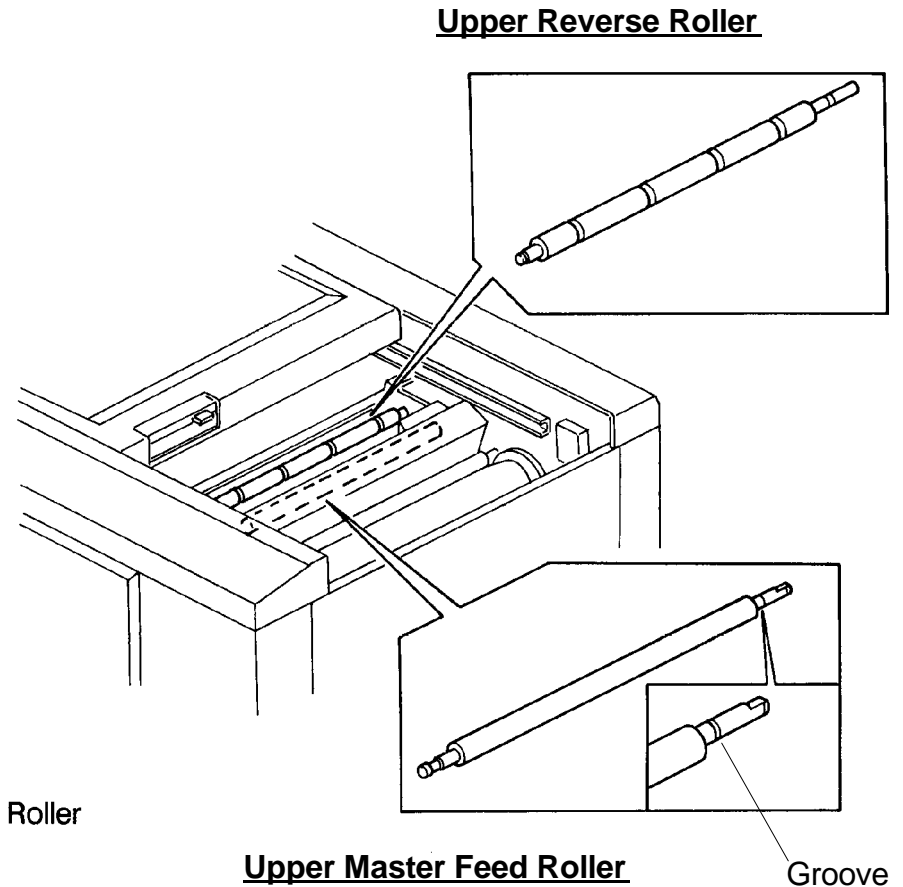
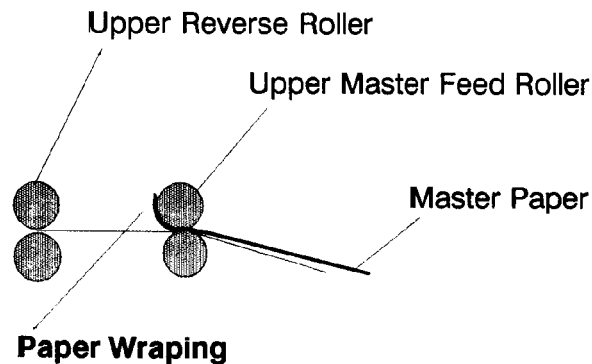
(2) The mark to the left of the slash indicates whether the old part can be used in the new machine, and the mark to the right indicates whether the new part can be used in the old machine. x = Not interchangeable o = Interchangeable

DETAILS OF MODIFICATION

If the machine is used under extremely low humidity and temperature conditions, master paper may be wrapped around the upper master feed roller or upper reverse roller when master paper is feeding. This symptom is due to heavy static in such circumstances.

To increase the master paper feeding ability even under such circumstances, the upper master feed roller has been changed to an electrically conductive type. Also, the upper reverse roller has been changed to an anti-static type.

- NOTE: * The color of the upper reverse roller has been changed from gray to pink.
* The shaft of the new upper master feed roller has a groove for identification. (However, some of the first production rollers do not have the groove. They can be distinguished by the part number.)



T. Ito, Manager,
Copier Technical Support

MODEL NAME	V/Hz	DESTINATION	CODE	SERIAL NUMBER
Ges 5170	120/60	USA, Canada	C203 - 12	From September Production
Ricoh SS950	120/60	USA, Canada	C203 - 17	From September Production
Ges 5170	220/50	Europe	C203 - 22	From September Production
Rex 1070	220/50	Europe	C203 - 24	From September Production
Ricoh SS950	220,240/50	Europe, etc.	C203 - 27	From September Production
Ges 5130	120/60	USA, Canada	C204 - 12	From September Production
Ges 5130	120/60	Europe	C204 - 22	From September Production
Rex 1060	220/50	Europe	C204 - 24	From September Production
Ricoh SS930	220,240/50	Europe, etc.	C204 - 27	From September Production
Rex 1140	120/60	Canada	C205 - 10	114088043
Ges 5210	120/60	USA, Canada	C205 - 12	SI52101506
Ges 5210	110/60	Taiwan	C205 - 13	From September Production
Rex 1140	110/60	Taiwan	C205 - 14	From September Production
Ricoh SS915	120/60	USA, Canada	C205 - 17	From September Production
Ricoh SS915	110/50	Europe, etc.	C205 - 19	From September Production
Ges 5210	220/50	Europe	C205 - 22	521011787
Rex 1140	220/50	Europe	C205 - 24	114051211
Ricoh SS915	220,240/50	Europe, etc.	C205 - 27	2630080001

Model	SS930/950/915, Ges5130/5170/5210, Rex1140	Volt/Hz	Date of Modification	Serial Number
Modified Article	Flat Cable - Master Processing			
Reason for Modification	To facilitate assembly on the production line (USA and Canada Version Machines Only)			

Draw No.	Old Parts No.	New Parts No.	Description	A.B.C.	Q'ty Used Old → New	Inter- change- ability	Part needed for replacement by new part		Parts Catalog	
				Rank			Part No.	Description	Index No.	Page
	C2018102	C2018105	Flat Cable - Master Processing		1 - 1	x/o		SS930/950, Ges5130/5170 —	15	45
								SS915, Ges5210, Rex1140 —	12	19

Rank: A : Replace with new parts immediately. B : Replace with new parts at time of repair. C : Replace with new parts at time of overhaul.

Interchangeability:

(1) When old and new parts are not mutually interchangeable, use additional parts or an assembly part as indicated in "Parts needed for replacement by new part" to install the new part.

(2) The mark to the left of the slash indicates whether the old part can be used in the new machine, and the mark to the right indicates whether the new part can be used in the old machine. x = Not interchangeable o = Interchangeable

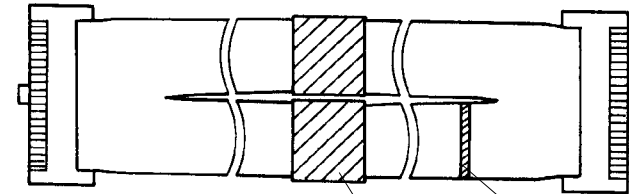
DETAILS OF MODIFICATION

To facilitate assembly on the production line, marks ("A" and "B") have been added to the flat cable between the machine frame and scanner unit. On the production line the flat cable is assembled as shown in the illustration.

NOTE: This modification is applied to the USA and Canada version machines only. The other version machines are still using a different flat cable (#C2038067).

If the flat cable is not correctly installed, it may be distorted or crimped when the scanner unit is open. (To prevent the flat cable from being damaged by the edge of the frame, a strip of tape (Mark "A") has been added to the flat cable.) The flat cable is correctly positioned as shown in "FLAT CABLE POSITION" when the scanner unit is open.

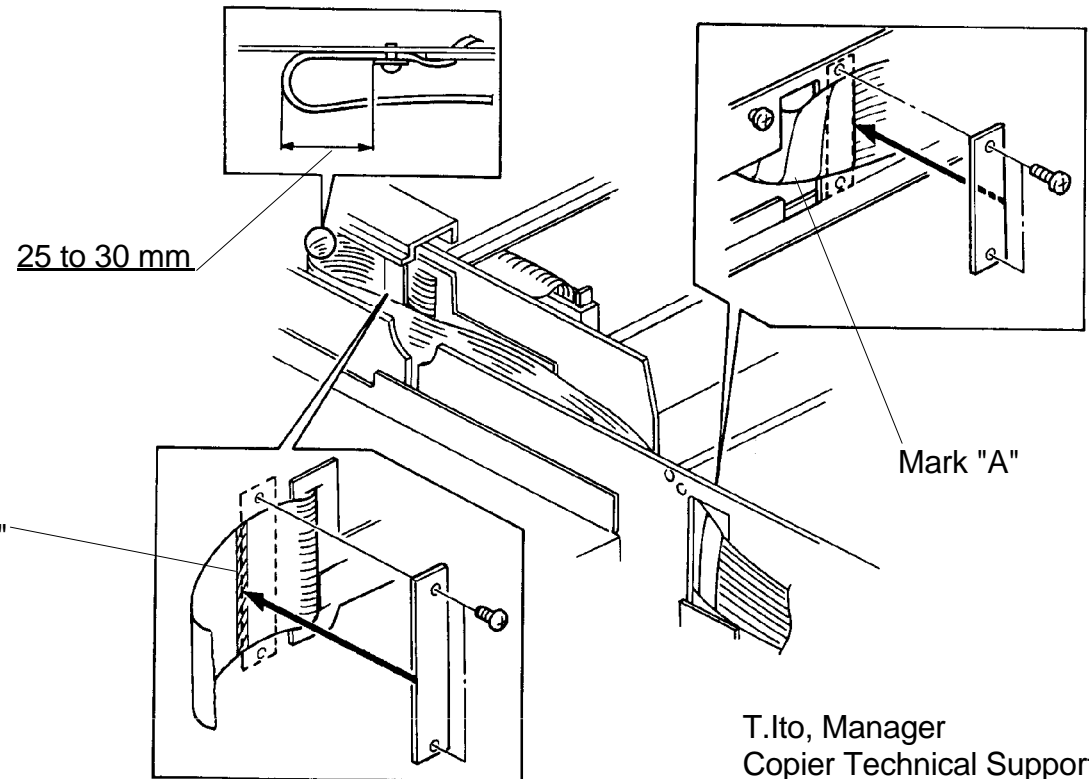
New Flat Cable (#C2018105)



Mark "B"

FLAT CABLE POSITION

Mark "A" (Taping)



Mark "B"

T.Ito, Manager
Copier Technical Support

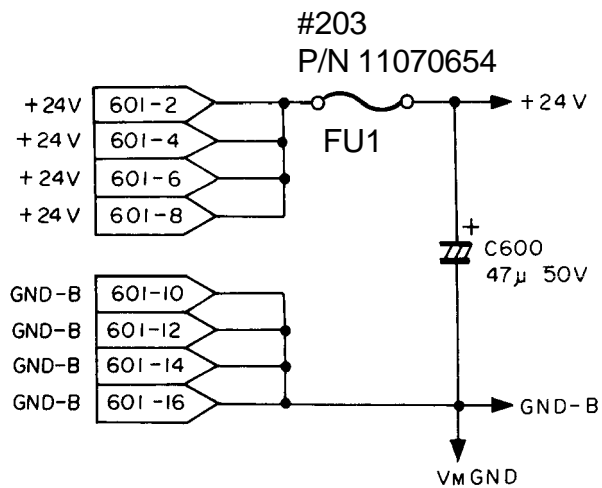
MODEL NAME	V/Hz	DESTINATION	CODE	SERIAL NUMBER
Ges 5170	120/60	USA, Canada	C203 - 12	From September Production
Ricoh SS950	120/60	USA, Canada	C203 - 17	From September Production
Ges 5170	220/50	Europe	C203 - 22	
Rex 1070	220/50	Europe	C203 - 24	
Ricoh SS950	220,240/50	Europe, etc.	C203 - 27	
Ges 5130	120/60	USA, Canada	C204 - 12	From September Production
Ges 5130	120/60	Europe	C204 - 22	
Rex 1060	220/50	Europe	C204 - 24	
Ricoh SS930	220,240/50	Europe, etc.	C204 - 27	
Rex 1140	120/60	Canada	C205 - 10	From September Production
Ges 5210	120/60	USA, Canada	C205 - 12	SI52101706
Ges 5210	110/60	Taiwan	C205 - 13	
Rex 1140	110/60	Taiwan	C205 - 14	
Ricoh SS915	120/60	USA, Canada	C205 - 17	From September Production
Ricoh SS915	110/50	Europe, etc.	C205 - 19	
Ges 5210	220/50	Europe	C205 - 22	
Rex 1140	220/50	Europe	C205 - 24	
Ricoh SS915	220,240/50	Europe, etc.	C205 - 27	

Model		SS930/950/915, Ges5130/5170/5210, Rex1060/1070/1140					Volt/Hz	Date of Modification	Serial Number	
Modified Article		A/D Conversion Board								
Reason for Modification		To ensure reliability of A/D conversion board								
Draw No.	Old Parts No.	New Parts No.	Description	A.B.C.	Q'ty Used Old → New	Inter-change-ability	Part needed for replacement by new part		Parts Catalog	
				Rank			Part No.	Description	Index No.	Page
	C2038012	C2038018	A/D Conversion Board		1 — 1	X/O		SS915, Ges5210, Rex1140 SS930/950, Ges5130/5170, Rex1060/1070	16 13	45 19
		11070654	Fuse - 2A - 125V/50A		0 — 1				*203	65
	16061452		Capacitor - 0.01μF 50V		69 — 67				158	65
								* New Index		

Rank: A : Replace with new parts immediately. B : Replace with new parts at time of repair. C : Replace with new parts at time of overhaul.
 Interchangeability:
 (1) When old and new parts are not mutually interchangeable, use additional parts or an assembly part as indicated in "Parts needed for replacement by new part" to install the new part.
 (2) The mark to the left of the slash indicates whether the old part can be used in the new machine, and the mark to the right indicates whether the new part can be used in the old machine. x = Not interchangeable o = Interchangeable

DETAILS OF MODIFICATION

To ensure reliability of A/D conversion board, the fuse1 (P/N11070654) has been added to the main control board. And two capacitor (C609, C713) have been removed from the main control board.



T.Ito, Manager
Copier Technical Support

MODEL NAME	V/Hz	DESTINATION	CODE	SERIAL NUMBER
Ges 5170	120/60	USA, Canada	C203 - 12	From September Production
Ricoh SS950	120/60	USA, Canada	C203 - 17	From September Production
Ges 5170	220/50	Europe	C203 - 22	From September Production
Rex 1070	220/50	Europe	C203 - 24	From September Production
Ricoh SS950	220,240/50	Europe, etc.	C203 - 27	From September Production
Ges 5130	120/60	USA, Canada	C204 - 12	From September Production
Ges 5130	120/60	Europe	C204 - 22	From September Production
Rex 1060	220/50	Europe	C204 - 24	From September Production
Ricoh SS930	220,240/50	Europe, etc.	C204 - 27	From September Production
Rex 1140	120/60	Canada	C205 - 10	114088048
Ges 5210	120/60	USA, Canada	C205 - 12	SI52101706
Ges 5210	110/60	Taiwan	C205 - 13	521022097
Rex 1140	110/60	Taiwan	C205 - 14	114044016
Ricoh SS915	120/60	USA, Canada	C205 - 17	263009XXXX
Ricoh SS915	110/50	Europe, etc.	C205 - 19	263009XXXX
Ges 5210	220/50	Europe	C205 - 22	521012130
Rex 1140	220/50	Europe	C205 - 24	114051305
Ricoh SS915	220,240/50	Europe, etc.	C205 - 27	263009XXXX

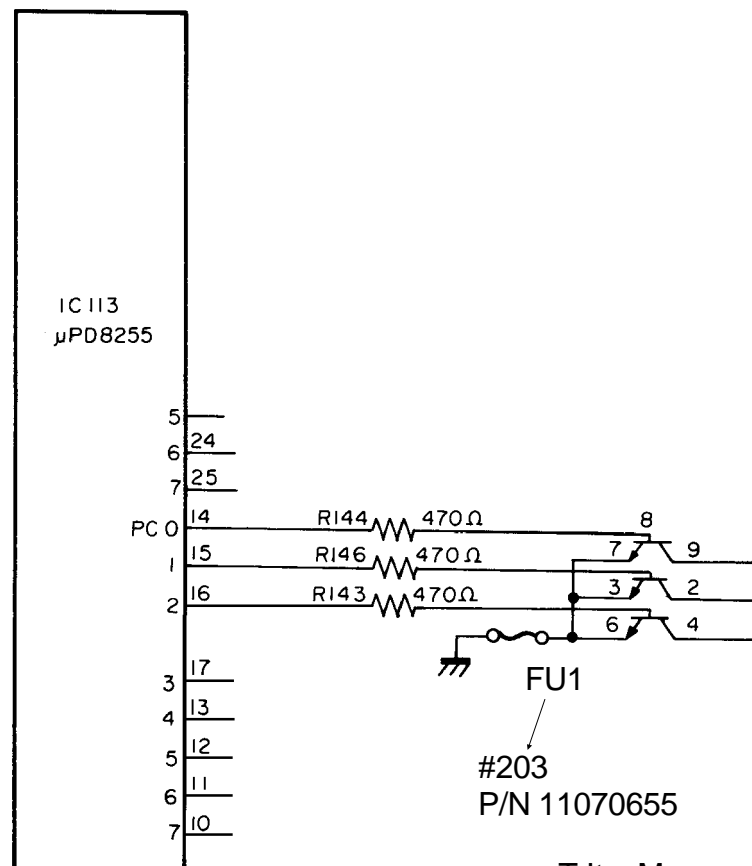
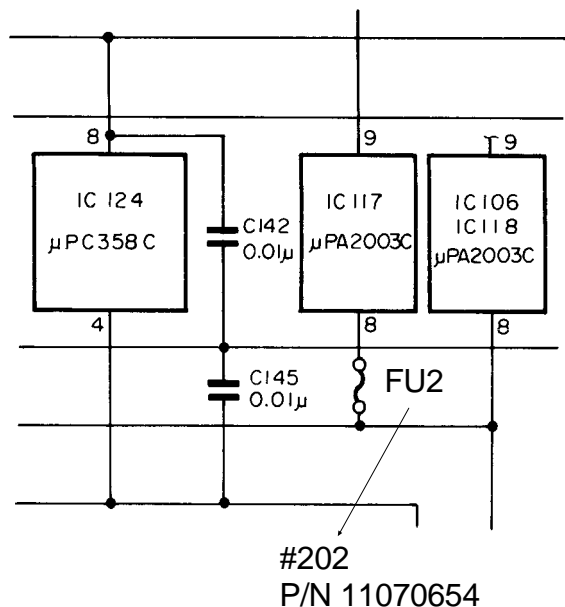
Model		SS930/950/915, Ges5130/5170/5210, Rex1060/1070/1140					Volt/Hz	Date of Modification	Serial Number	
Modified Article		Main Control Board								
Reason for Modification		To ensure reliability and durability of main board								
Draw No.	Old Parts No.	New Parts No.	Description	A.B.C. Rank	Q'ty Used Old → New	Inter-changeability	Part needed for replacement by new part		Parts Catalog	
							Part No.	Description	Index No.	Page
	C2038042	C2038035	Main Control Board (LT)		1 — 1	X/O		SS915, Ges5210, Rex1140 SS930/950, Ges5130/5170, Rex1060/1070	30	21 57
	C2038172	C2038179	Main Control Board (A4)		1 — 1	X/O		SS915, Ges5210, Rex1140 SS930/950, Ges5130/5170, Rex1060/1070	30	21 57
		11070654	Fuse - 2A - 125V/50A		0 — 1				*202	59
		11070655	Fuse - 5A - 125V/50A		0 — 1				*203	59
								* New Index		

Rank: A : Replace with new parts immediately. B : Replace with new parts at time of repair. C : Replace with new parts at time of overhaul.
 Interchangeability:
 (1) When old and new parts are not mutually interchangeable, use additional parts or an assembly part as indicated in "Parts needed for replacement by new part" to install the new part.
 (2) The mark to the left of the slash indicates whether the old part can be used in the new machine, and the mark to the right indicates whether the new part can be used in the old machine. x = Not interchangeable o = Interchangeable

DETAILS OF MODIFICATION

It has been reported that IC113 and IC117 were sometimes damaged due to excessive current. To ensure the reliability and durability of the main control board, the following parts have been added to the main control board.

- FU1 Newly added P/N 11070655, Index No.203
- FU2 Newly added P/N 11070654, Index No.202



T.Ito, Manager
Copier Technical Support

MODEL NAME	V/Hz	DESTINATION	CODE	SERIAL NUMBER
Ges 5170	120/60	USA, Canada	C203 - 12	From September Production
Ricoh SS950	120/60	USA, Canada	C203 - 17	From September Production
Ges 5170	220/50	Europe	C203 - 22	From September Production
Rex 1070	220/50	Europe	C203 - 24	From September Production
Ricoh SS950	220,240/50	Europe, etc.	C203 - 27	From September Production
Ges 5130	120/60	USA, Canada	C204 - 12	From September Production
Ges 5130	120/60	Europe	C204 - 22	From September Production
Rex 1060	220/50	Europe	C204 - 24	From September Production
Ricoh SS930	220,240/50	Europe, etc.	C204 - 27	From September Production
Rex 1140	120/60	Canada	C205 - 10	114088043
Ges 5210	120/60	USA, Canada	C205 - 12	SI52101706
Ges 5210	110/60	Taiwan	C205 - 13	521022097
Rex 1140	110/60	Taiwan	C205 - 14	114044016
Ricoh SS915	120/60	USA, Canada	C205 - 17	263009XXXX
Ricoh SS915	110/50	Europe, etc.	C205 - 19	263009XXXX
Ges 5210	220/50	Europe	C205 - 22	521012130
Rex 1140	220/50	Europe	C205 - 24	114051305
Ricoh SS915	220,240/50	Europe, etc.	C205 - 27	2630080001

Model		SS930/950/915, Ges5130/5170/5210, Rex1060/1070/1140					Volt/Hz	Date of Modification	Serial Number	
Modified Article		Drum Clamper Ass'y								
Reason for Modification		To facilitate servicing								
Draw No.	Old Parts No.	New Parts No.	Description	A.B.C.	Q'ty Used Old → New	Inter-changeability	Part needed for replacement by new part		Parts Catalog	
				Rank			Part No.	Description	Index No.	Page
		C2034565	Drum Clamper Ass'y		0 — 1		SS930/950, Ges5130/5170, Rex1060/1070 —		#44	35
		C2074948	Drum Clamper Ass'y		0 — 1		SS915, Ges5210, Rex1140 —		#45	9
							#: New Index			

Rank: A : Replace with new parts immediately. B : Replace with new parts at time of repair. C : Replace with new parts at time of overhaul.

Interchangeability:

(1) When old and new parts are not mutually interchangeable, use additional parts or an assembly part as indicated in "Parts needed for replacement by new part" to install the new part.

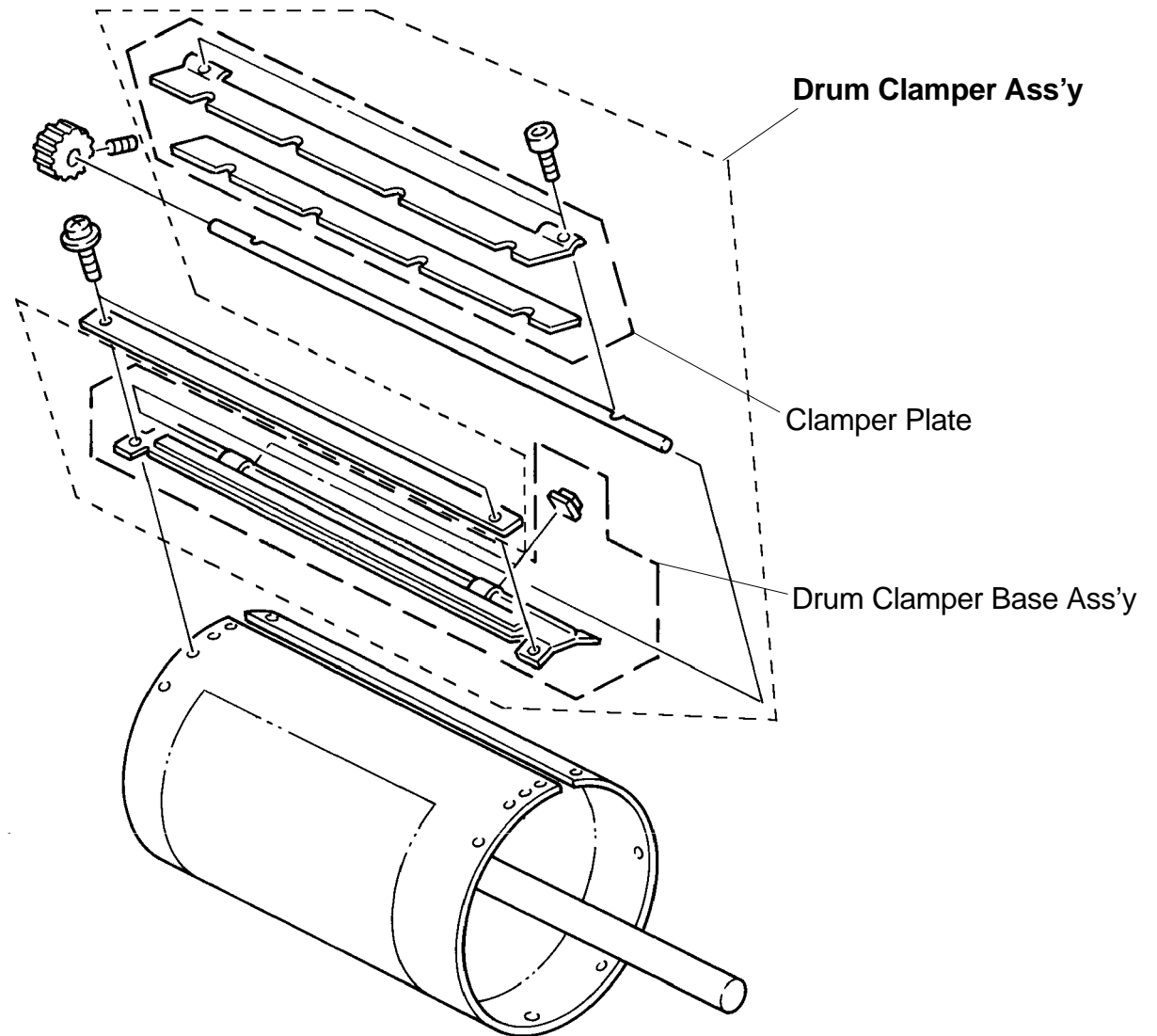
(2) The mark to the left of the slash indicates whether the old part can be used in the new machine, and the mark to the right indicates whether the new part can be used in the old machine. x = Not interchangeable o = Interchangeable

DETAILS OF MODIFICATION**This MB supplements MB no. 59**

issued on November 30, 1990.

To facilitate servicing, the drum clamber ass'y has been registered as a service part. Use this assembled part when the old type clamber plate and/or drum clamber base ass'y are replaced.

NOTE: The difference between the drum clamber ass'y #C2034565 (for models C201, C203, C204, and C206) and #C2074948 (for models C205, C207, and C208) is the color of the base plate of the drum clamber base ass'y only. The base plate's color of #C2074948 is black to ensure the drum master detection sensor function.



T. Ito, Manager
Copier Technical Support

MODEL NAME	V/Hz	DESTINATION	CODE	SERIAL NUMBER
Ges 5170	120/60	USA, Canada	C203 - 12	
Ricoh SS950	120/60	USA, Canada	C203 - 17	
Ges 5170	220/50	Europe	C203 - 22	
Rex 1070	220/50	Europe	C203 - 24	
Ricoh SS950	220,240/50	Europe, etc.	C203 - 27	
Ges 5130	120/60	USA, Canada	C204 - 12	
Ges 5130	120/60	Europe	C204 - 22	
Rex 1060	220/50	Europe	C204 - 24	
Ricoh SS930	220,240/50	Europe, etc.	C204 - 27	
Rex 1140	120/60	Canada	C205 - 10	
Ges 5210	120/60	USA, Canada	C205 - 12	
Ges 5210	110/60	Taiwan	C205 - 13	
Rex 1140	110/60	Taiwan	C205 - 14	
Ricoh SS915	120/60	USA, Canada	C205 - 17	
Ricoh SS915	110/50	Taiwan	C205 - 19	
Ges 5210	220/50	Europe	C205 - 22	
Rex 1140	220/50	Europe	C205 - 24	
Ricoh SS915	220,240/50	Europe, etc.	C205 - 27	

Model		SS930/950/915, Ges5130/5170/5210, Rex1060/1070/1140					Volt/Hz	Date of Modification	Serial Number	
Modified Article		Front and Rear Drum Blades, etc.								
Reason for Modification		To prevent ink leakage from the drum edge								
Draw No.	Old Parts No.	New Parts No.	Description	A.B.C.	Q'ty Used Old → New	Inter-changeability	Part needed for replacement by new part		Parts Catalog	
				Rank			Part No.	Description	Index No.	Page
	C2004745	C2074745	Front Drum Blade		1 - 1	X/X	←	X/O as a set	13	37
	C2004746	C2074746	Rear Drum Blade		1 - 1	X/X	←		18	37
	C2074661	C2074664	Front Side Plate - Ink Roller		1 - 1	X/X	←	SS915, Ges5210, Rex1140 —	12	11
	C2014661	C2034661	Front Side Plate - Ink Roller		1 - 1	X/X	←	Others —	12	37
	C2074662	C2074665	Rear Side Plate - Ink Roller		1 - 1	X/X	←	SS915, Ges5210, Rex1140 —	2	11
	C2014660	C2034662	Rear Side Plate - Ink Roller		1 - 1	X/X		Others —	2	37
	C2004765	C2074765	Front Bank Plate		1 - 1	X/O		SS915, Ges5210, Rex1140 — Others —	14 14	11 37
	C2004766	C2074766	Rear Bank Plate		1 - 1	X/O		SS915, Ges5210, Rex1140 — Others —	3 3	11 37
		C2079011	Drum Blades Kit		0 - 1					

Rank: A : Replace with new parts immediately. B : Replace with new parts at time of repair. C : Replace with new parts at time of overhaul.

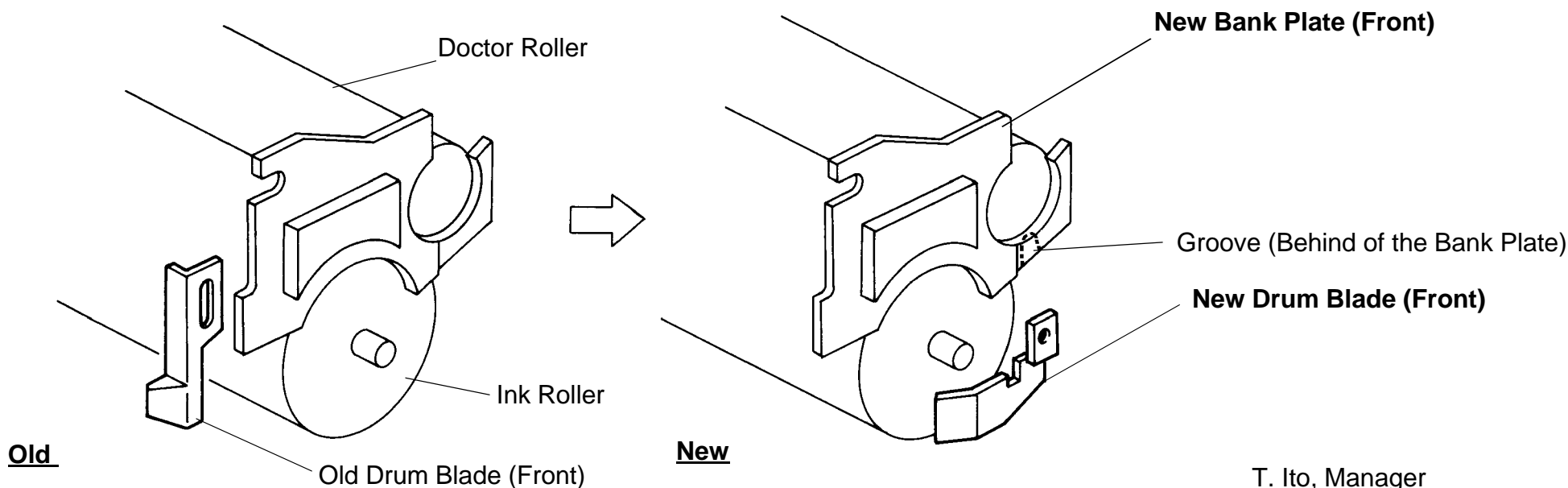
Interchangeability:
 (1) When old and new parts are not mutually interchangeable, use additional parts or an assembly part as indicated in "Parts needed for replacement by new part" to install the new part.
 (2) The mark to the left of the slash indicates whether the old part can be used in the new machine, and the mark to the right indicates whether the new part can be used in the old machine. x = Not interchangeable o = Interchangeable

DETAILS OF MODIFICATION

Especially when the print volume is large, ink builds-up on the ink roller edges and may transfer to inside of the drum screen and leak from the drum edges. To prevent this, the following modifications have been implemented:

1. To scrape off the built-up ink on the ink roller edges, the front and rear drum blades have been changed as shown below. (The old type drum blades scraped the inside of the drum screen.)
2. To prevent built-up ink on the ink roller edges from being scraped off by the edge of the bank plates and falling on the inside of the drum screen, a groove has been hollowed out at the edge of the front and rear bank plates.
3. To allow installation of the new drum blades, a hole has been added to the front and rear side plates of the ink roller unit (Front/Rear Side Plate - Ink Roller: Not shown in illustration).

NOTE: It is difficult to replace the all parts described on the first page in the field. For this reason, the drum blades kit (P/N-C2079011) has been registered as a service part. Refer to RTB No. 14 issued on January 31, 1991 for the installation procedure.



T. Ito, Manager
Copier Technical Support

MODEL NAME	V/Hz	DESTINATION	CODE	SERIAL NUMBER
Ges 5170	120/60	USA, Canada	C203 - 12	Service parts only
Ricoh SS950	120/60	USA, Canada	C203 - 17	Service parts only
Ges 5170	220/50	Europe	C203 - 22	Service parts only
Rex 1070	220/50	Europe	C203 - 24	Service parts only
Ricoh SS950	220,240/50	Europe, etc.	C203 - 27	Service parts only
Ges 5130	120/60	USA, Canada	C204 - 12	Service parts only
Ges 5130	120/60	Europe	C204 - 22	Service parts only
Rex 1060	220/50	Europe	C204 - 24	Service parts only
Ricoh SS930	220,240/50	Europe, etc.	C204 - 27	Service parts only
Rex 1140	120/60	Canada	C205 - 10	114088048
Ges 5210	120/60	USA, Canada	C205 - 12	SI52102144
Ges 5210	110/60	Taiwan	C205 - 13	521022102
Rex 1140	110/60	Taiwan	C205 - 14	From February '91
Ricoh SS915	120/60	USA, Canada	C205 - 17	From February '91
Ricoh SS915	110/50	Taiwan	C205 - 19	From February '91
Ges 5210	220/50	Europe	C205 - 22	521013309
Rex 1140	220/50	Europe	C205 - 24	114051533
Ricoh SS915	220,240/50	Europe, etc.	C205 - 27	2630110001

Model	SS930/950/915, Ges5130/5170/5210, Rex1060/1070/1140	Volt/Hz	Date of Modification	Serial Number
Modified Article	Fuse on the A/D Conversion Board			
Reason for Modification	To facilitate servicing			

To facilitate servicing, the fuse (FU601) which is soldered on the A/D conversion board has been changed. The new fuse is a socket type. Although the part number of the A/D conversion board has not been changed, the suffix of the part number printed on the board has been advanced (C2038018 to C2038018A).

Old P/N	New P/N	Description	ICA	Index	Page
11070654		Fuse - 2A - 125V/50A			
	11070585	Fuse - 2A	X/X	203	65

T. Ito, Manager
Copier Technical Support

MODEL NAME	V/Hz	DESTINATION	CODE	SERIAL NUMBER
Ges 5170	120/60	USA, Canada	C203 - 12	Service parts only
Ricoh SS950	120/60	USA, Canada	C203 - 17	Service parts only
Ges 5170	220/50	Europe	C203 - 22	Service parts only
Rex 1070	220/50	Europe	C203 - 24	Service parts only
Ricoh SS950	220,240/50	Europe, etc.	C203 - 27	Service parts only
Ges 5130	120/60	USA, Canada	C204 - 12	Service parts only
Ges 5130	120/60	Europe	C204 - 22	Service parts only
Rex 1060	220/50	Europe	C204 - 24	Service parts only
Ricoh SS930	220,240/50	Europe, etc.	C204 - 27	Service parts only
Rex 1140	120/60	Canada	C205 - 10	114088048
Ges 5210	120/60	USA, Canada	C205 - 12	From February '91
Ges 5210	110/60	Taiwan	C205 - 13	From February '91
Rex 1140	110/60	Taiwan	C205 - 14	From February '91
Ricoh SS915	120/60	USA, Canada	C205 - 17	From February '91
Ricoh SS915	110/50	Taiwan	C205 - 19	From February '91
Ges 5210	220/50	Europe	C205 - 22	521013851
Rex 1140	220/50	Europe	C205 - 24	114051583
Ricoh SS915	220,240/50	Europe, etc.	C205 - 27	2630120001

Model		SS930/950/915, Ges5130/5170/5210, Rex1060/1070/1140					Volt/Hz	Date of Modification	Serial Number	
Modified Article		Upper and Lower Hinge, Hinge Bracket								
Reason for Modification		To improve durability of the front door hinges								
Draw No.	Old Parts No.	New Parts No.	Description	A.B.C.	Q'ty Used Old → New	Inter-changeability	Part needed for replacement by new part		Parts Catalog	
				Rank			Part No.	Description	Index No.	Page
	C2012485	C2072475	Hinge Bracket		2 → 2	X/X			21	3
	C2012481	C2072478	Upper Hinge - Front Door		1 → 1	X/X			25	3
	C2012483	C2072479	Lower Hinge - Front Door		1 → 1	X/X			20	3

Rank: A : Replace with new parts immediately. B : Replace with new parts at time of repair. C : Replace with new parts at time of overhaul.

Interchangeability:

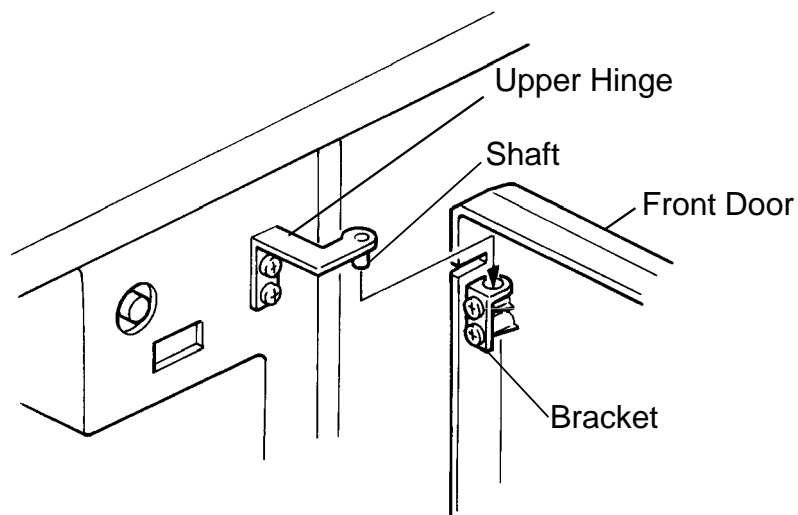
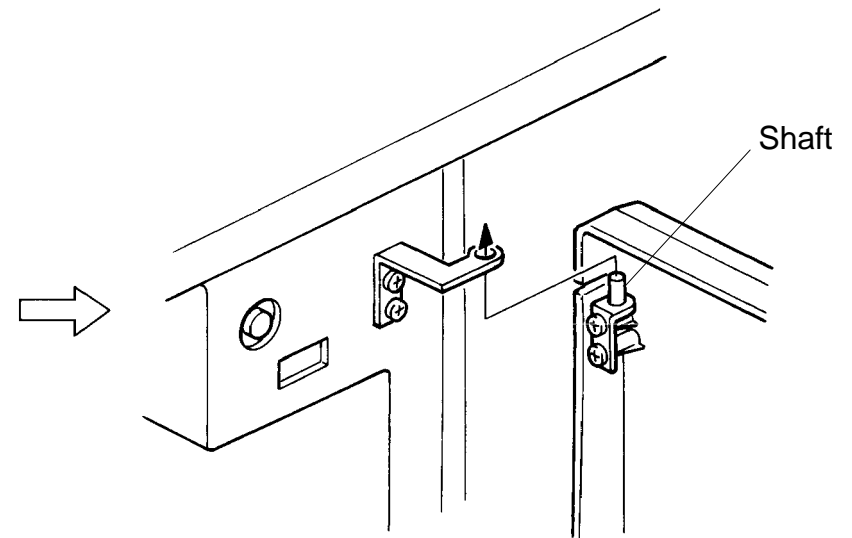
(1) When old and new parts are not mutually interchangeable, use additional parts or an assembly part as indicated in "Parts needed for replacement by new part" to install the new part.

(2) The mark to the left of the slash indicates whether the old part can be used in the new machine, and the mark to the right indicates whether the new part can be used in the old machine. x = Not interchangeable o = Interchangeable

DETAILS OF MODIFICATION

To improve durability of the front door hinges, the upper and lower hinges and the hinge brackets have been changed.

If the hinges are bent by being opened and closed roughly, the front door may get unhinged. The shaft in the hinges has been lengthened from 2.5mm to 5.9mm to prevent this. However, the shaft, which was installed in the hinges (main body side) in the old type, is now being installed in the hinge brackets (front cover side) as shown below. Therefore, there is interchangeability only as a set of the upper and lower hinges and the two brackets.

[Old]**[New]**

T. Ito, Manager
Copier Technical Support

MODEL NAME	V/Hz	DESTINATION	CODE	SERIAL NUMBER
Ges 5170	120/60	USA, Canada	C203 - 12	Service parts only
Ricoh SS950	120/60	USA, Canada	C203 - 17	Service parts only
Ges 5170	220/50	Europe	C203 - 22	Service parts only
Rex 1070	220/50	Europe	C203 - 24	Service parts only
Ricoh SS950	220,240/50	Europe, etc.	C203 - 27	Service parts only
Ges 5130	120/60	USA, Canada	C204 - 12	Service parts only
Ges 5130	120/60	Europe	C204 - 22	Service parts only
Rex 1060	220/50	Europe	C204 - 24	Service parts only
Ricoh SS930	220,240/50	Europe, etc.	C204 - 27	Service parts only
Rex 1140	120/60	Canada	C205 - 10	114088048
Ges 5210	120/60	USA, Canada	C205 - 12	SI52102264
Ges 5210	110/60	Taiwan	C205 - 13	521014273
Rex 1140	110/60	Taiwan	C205 - 14	From February '91
Ricoh SS915	120/60	USA, Canada	C205 - 17	From February '91
Ricoh SS915	110/50	Taiwan	C205 - 19	From February '91
Ges 5210	220/50	Europe	C205 - 22	521013628
Rex 1140	220/50	Europe	C205 - 24	114051583
Ricoh SS915	220,240/50	Europe, etc.	C205 - 27	2630120001

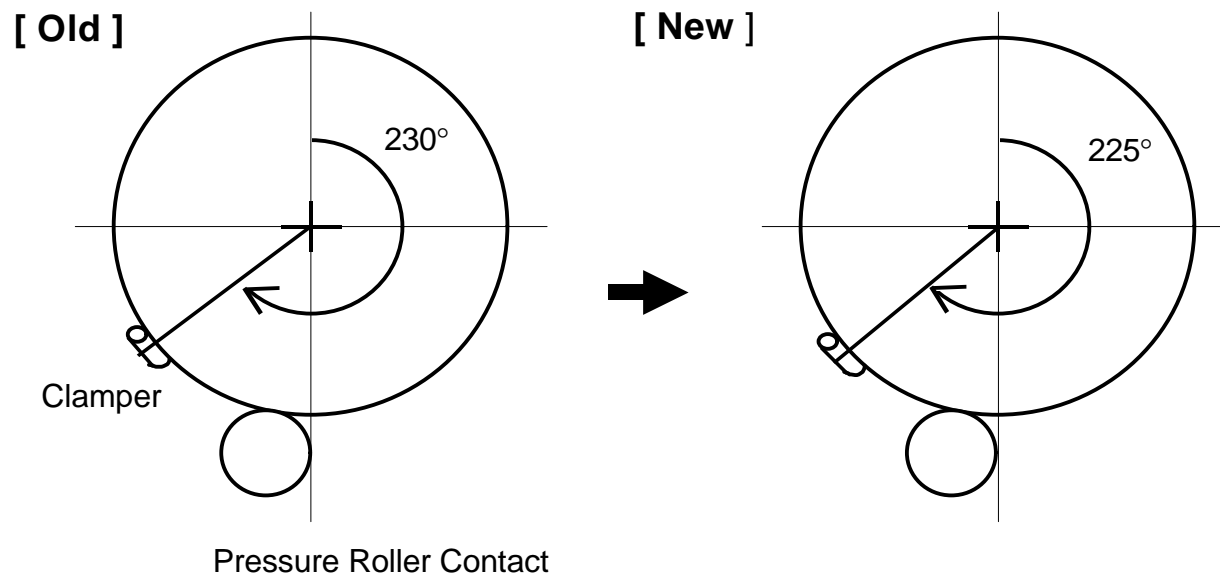
Model		SS930/950/915, Ges5130/5170/5210, Rex1060/1070/1140					Volt/Hz	Date of Modification	Serial Number	
Modified Article		Print Pressure Cam								
Reason for Modification		To ensure the printing quality on the leading part								
Draw No.	Old Parts No.	New Parts No.	Description	A.B.C.	Q'ty Used Old → New	Inter-changeability	Part needed for replacement by new part		Parts Catalog	
				Rank			Part No.	Description	Index No.	Page
	C2005560	C2075560	Print Pressure Cam		1 → 1	X/O		SS930/950, Ges5130/5170, Rex1060/1070-	19 5	25 9
								SS915, Ges5210, Rex1140	19	5

Rank: A : Replace with new parts immediately. B : Replace with new parts at time of repair. C : Replace with new parts at time of overhaul.
 Interchangeability:
 (1) When old and new parts are not mutually interchangeable, use additional parts or an assembly part as indicated in "Parts needed for replacement by new part" to install the new part.
 (2) The mark to the left of the slash indicates whether the old part can be used in the new machine, and the mark to the right indicates whether the new part can be used in the old machine. x = Not interchangeable o = Interchangeable

DETAILS OF MODIFICATION

To ensure the printing quality on the leading part of the paper, the shape of the print pressure cam has been changed. If there is solid fill image on the leading part of the original and the printing speed is high (4 or 5 step), a low density horizontal band may appear about 30 millimeters from the leading edge of the print. This is caused by pressure roller bound when the pressure roller contacts the drum surface. The new print pressure cam applies the print pressure to the pressure roller 5 degrees faster in the drum rotation angle. (The pressure roller contacts the drum about 7 millimeters before the leading edge of the paper.)

NOTE: When the new print pressure cam is installed, the exit pawl timing is also changed. (The exit pawl approaches the drum 5 degrees faster in the drum rotation angle.) Therefore, it is necessary to make sure that the exit pawl does not contact the master clamper. (Readjust the exit pawl timing if necessary.)



T. Ito, Manager
Copier Technical Support

MODEL NAME	V/Hz	DESTINATION	CODE	SERIAL NUMBER
Ges 5170	120/60	USA, Canada	C203 - 12	Service Parts Only
Ricoh SS950	120/60	USA, Canada	C203 - 17	Service Parts Only
Ges 5170	220/50	Europe	C203 - 22	Service Parts Only
Rex 1070	220/50	Europe	C203 - 24	Service Parts Only
Ricoh SS950	220,240/50	Europe, etc.	C203 - 27	Service Parts Only
Ges 5130	120/60	USA, Canada	C204 - 12	Service Parts Only
Ges 5130	120/60	Europe	C204 - 22	Service Parts Only
Rex 1060	220/50	Europe	C204 - 24	Service Parts Only
Ricoh SS930	220,240/50	Europe, etc.	C204 - 27	Service Parts Only
Rex 1140	120/60	Canada	C205 - 10	After March '91
Ges 5210	120/60	USA, Canada	C205 - 12	After March '91
Ges 5210	110/60	Taiwan	C205 - 13	After March '91
Rex 1140	110/60	Taiwan	C205 - 14	After March '91
Ricoh SS915	120/60	USA, Canada	C205 - 17	After March '91
Ricoh SS915	110/50	Taiwan	C205 - 19	After March '91
Ges 5210	220/50	Europe	C205 - 22	After March '91
Rex 1140	220/50	Europe	C205 - 24	After March '91
Ricoh SS915	220,240/50	Europe, etc.	C205 - 27	After March '91

Model		SS930/950/915, Ges5130/5170/5210, Rex1060/1070/1140					Volt/Hz	Date of Modification	Serial Number	
Modified Article		2nd Feed Roller Gear								
Reason for Modification		To improve the durability of the 2nd feed roller gear								
Draw No.	Old Parts No.	New Parts No.	Description	A.B.C.	Q'ty Used Old → New	Inter-changeability	Part needed for replacement by new part		Parts Catalog	
				Rank			Part No.	Description	Index No.	Page
	C2035231	C2075231	Gear - 14T			X/O			12	21

Rank: A : Replace with new parts immediately. B : Replace with new parts at time of repair. C : Replace with new parts at time of overhaul.

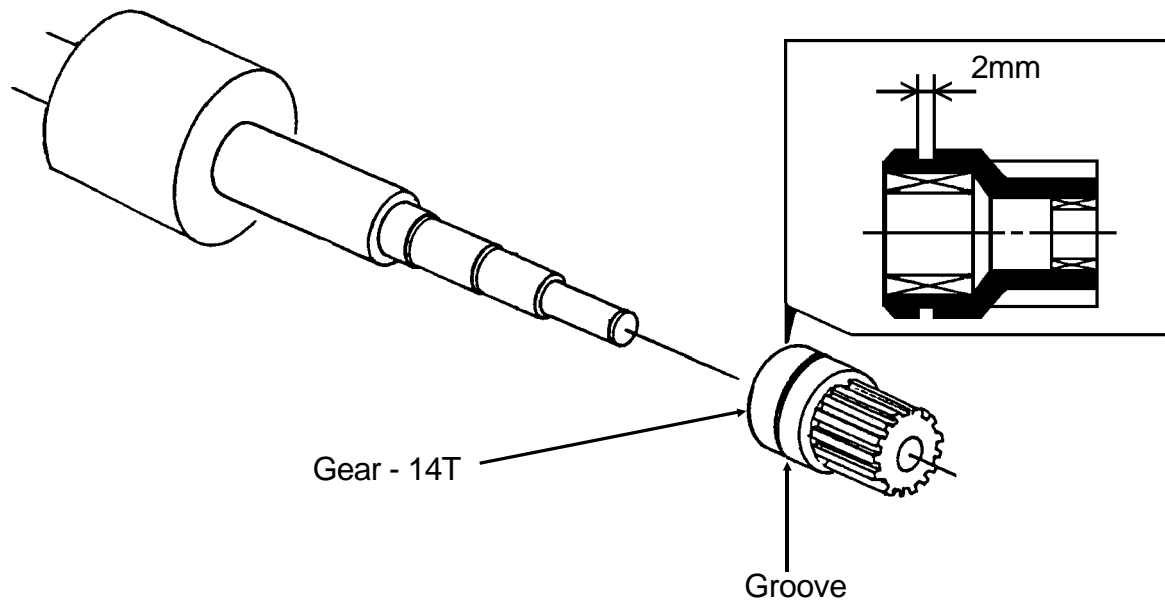
Interchangeability:

(1) When old and new parts are not mutually interchangeable, use additional parts or an assembly part as indicated in "Parts needed for replacement by new part" to install the new part.

(2) The mark to the left of the slash indicates whether the old part can be used in the new machine, and the mark to the right indicates whether the new part can be used

DETAILS OF MODIFICATION

It was reported that on some machines in the field, the image position varies. Although this is a very rare case, at worst this happened after making about 200,000 prints. On the problem machine, the one-way clutch inside the 2nd feed roller gear slips just when the 2nd feed rollers start feeding a sheet. (The paper feed start timing is delayed.) This makes the image position vary, i.e. move up or down in paper feed direction. After investigation, it was found that the grease inside the one-way clutch changes in quality and damage the inside surface of the clutch. The new 2nd feed roller gear contains a new type of grease that does not change in quality unlike the old one. To distinguish the new gear from the old one, a groove is made on the new gear.



T. Ito, Manager
Copier Technical Support

MODEL NAME	V/Hz	DESTINATION	CODE	SERIAL NUMBER
Ges 5170	120/60	USA, Canada	C203 - 12	Service parts only
Ricoh SS950	120/60	USA, Canada	C203 - 17	Service parts only
Ges 5170	220/50	Europe	C203 - 22	Service parts only
Rex 1070	220/50	Europe	C203 - 24	Service parts only
Ricoh SS950	220,240/50	Europe, etc.	C203 - 27	Service parts only
Ges 5130	120/60	USA, Canada	C204 - 12	Service parts only
Ges 5130	120/60	Europe	C204 - 22	Service parts only
Rex 1060	220/50	Europe	C204 - 24	Service parts only
Ricoh SS930	220,240/50	Europe, etc.	C204 - 27	Service parts only
Rex 1140	120/60	Canada	C205 - 10	Service parts only
Ges 5210	120/60	USA, Canada	C205 - 12	Service parts only
Ges 5210	110/60	Taiwan	C205 - 13	Service parts only
Rex 1140	110/60	Taiwan	C205 - 14	Service parts only
Ricoh SS915	120/60	USA, Canada	C205 - 17	Service parts only
Ricoh SS915	110/50	Taiwan	C205 - 19	Service parts only
Ges 5210	220/50	Europe	C205 - 22	Service parts only
Rex 1140	220/50	Europe	C205 - 24	Service parts only
Ricoh SS915	220,240/50	Europe, etc.	C205 - 27	Service parts only

Model		SS930/950/915, Ges5130/5170/5210, Rex1060/1070/1140					Volt/Hz	Date of Modification	Serial Number	
Modified Article		Feed Roller Arm								
Reason for Modification		To prevent the feed roller arm from touching the paper feed side plate								
Draw No.	Old Parts No.	New Parts No.	Description	A.B.C.	Q'ty Used Old → New	Inter-changeability	Part needed for replacement by new part		Parts Catalog	
				Rank			Part No.	Description	Index No.	Page
	C2035058	C2095035	Feed Roller Arm			X/O			3	15

Rank: A : Replace with new parts immediately. B : Replace with new parts at time of repair. C : Replace with new parts at time of overhaul.

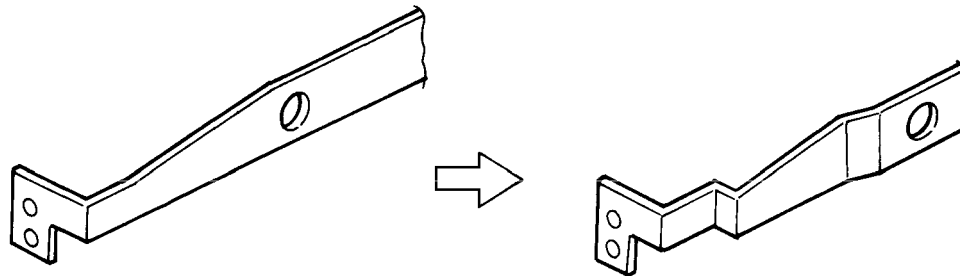
Interchangeability:

(1) When old and new parts are not mutually interchangeable, use additional parts or an assembly part as indicated in "Parts needed for replacement by new part" to install the new part.

(2) The mark to the left of the slash indicates whether the old part can be used in the new machine, and the mark to the right indicates whether the new part can be used

DETAILS OF MODIFICATION

When the paper table is lowered, the feed roller arm contacts the side pad lever if the paper feed side plates are fully opened. To prevent this, the shape of the feed roller arm has been changed as shown in the illustration below.



MODEL NAME	V/Hz	DESTINATION	CODE	SERIAL NUMBER
Ges 5170	120/60	USA, Canada	C203 - 12	Service parts only
Ricoh SS950	120/60	USA, Canada	C203 - 17	Service parts only
Ges 5170	220/50	Europe	C203 - 22	Service parts only
Rex 1070	220/50	Europe	C203 - 24	Service parts only
Ricoh SS950	220,240/50	Europe, etc.	C203 - 27	Service parts only
Ges 5130	120/60	USA, Canada	C204 - 12	Service parts only
Ges 5130	120/60	Europe	C204 - 22	Service parts only
Rex 1060	220/50	Europe	C204 - 24	Service parts only
Ricoh SS930	220,240/50	Europe, etc.	C204 - 27	Service parts only
Rex 1140	120/60	Canada	C205 - 10	Service parts only
Ges 5210	120/60	USA, Canada	C205 - 12	Service parts only
Ges 5210	110/60	Taiwan	C205 - 13	Service parts only
Rex 1140	110/60	Taiwan	C205 - 14	Service parts only
Ricoh SS915	120/60	USA, Canada	C205 - 17	Service parts only
Ricoh SS915	110/50	Taiwan	C205 - 19	Service parts only
Ges 5210	220/50	Europe	C205 - 22	Service parts only
Rex 1140	220/50	Europe	C205 - 24	Service parts only
Ricoh SS915	220,240/50	Europe, etc.	C205 - 27	Service parts only

Model	S930/950/915, Ges5130/5170/5210, Rex1060/1070/1140	Volt/Hz	Date of Modification	Serial Number
Modified Article	Master Eject Hinge			
Reason for Modification	Parts standardization with the other models			

Due to parts standardization with the other models (VT series), the following part has been changed.

Old P/N	New P/N	Description	ICA	Page	Index
C2003517	C2133517	Master Eject Hinge	O/O	55	6

T. Ito, Manager
Copier Technical Support

MODEL NAME	V/Hz	DESTINATION	CODE	SERIAL NUMBER
Ges 5170	120/60	USA, Canada	C203 - 12	Service parts only
Ricoh SS950	120/60	USA, Canada	C203 - 17	Service parts only
Ges 5170	220/50	Europe	C203 - 22	Service parts only
Rex 1070	220/50	Europe	C203 - 24	Service parts only
Ricoh SS950	220,240/50	Europe, etc.	C203 - 27	Service parts only
Ges 5130	120/60	USA, Canada	C204 - 12	Service parts only
Ges 5130	120/60	Europe	C204 - 22	Service parts only
Rex 1060	220/50	Europe	C204 - 24	Service parts only
Ricoh SS930	220,240/50	Europe, etc.	C204 - 27	Service parts only
Rex 1140	120/60	Canada	C205 - 10	Service parts only
Ges 5210	120/60	USA, Canada	C205 - 12	Service parts only
Ges 5210	110/60	Taiwan	C205 - 13	Service parts only
Rex 1140	110/60	Taiwan	C205 - 14	Service parts only
Ricoh SS915	120/60	USA, Canada	C205 - 17	Service parts only
Ricoh SS915	110/50	Taiwan	C205 - 19	Service parts only
Ges 5210	220/50	Europe	C205 - 22	Service parts only
Rex 1140	220/50	Europe	C205 - 24	Service parts only
Ricoh SS915	220,240/50	Europe, etc.	C205 - 27	Service parts only

Model	SS930/950/915, Ges5130/5170/5210, Rex1060/1070/1140	Volt/Hz	Date of Modification	Serial Number
Modified Article	Paper detecting arm			
Reason for Modification	To improve strength and durability of the paper detecting arm			

Draw No.	Old Parts No.	New Parts No.	Description	A.B.C.	Q'ty Used Old → New	Inter-changeability	Part needed for replacement by new part		Parts Catalog	
				Rank			Part No.	Description	Index No.	Page
	C2035515	C2095515	Paper Detecting Arm			X/X	X/O as a set		13	21
	08046090		Hexagon Bolt - M4						105	21
	07130040B		Hexagon Nut - M4						106	21
		05730050E	Hexagon Headless Set Screw - M3 x 5			X/X			* 114	21

Rank: A : Replace with new parts immediately. B : Replace with new parts at time of repair. C : Replace with new parts at time of overhaul.

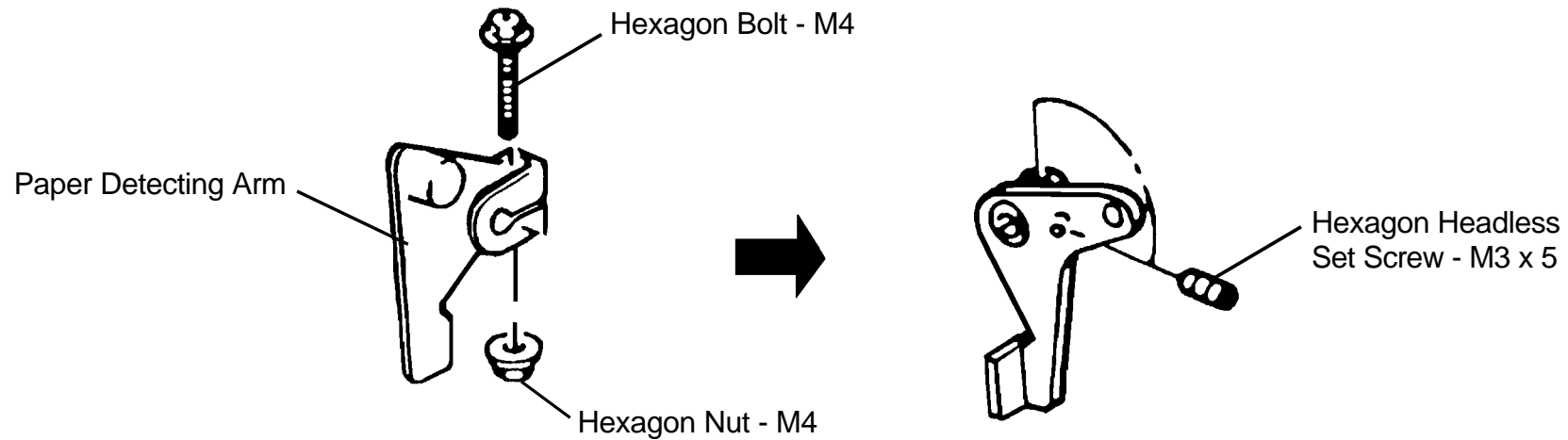
Interchangeability:

(1) When old and new parts are not mutually interchangeable, use additional parts or an assembly part as indicated in "Parts needed for replacement by new part" to install the new part.

(2) The mark to the left of the slash indicates whether the old part can be used in the new machine, and the mark to the right indicates whether the new part can be used

DETAILS OF MODIFICATION

To improve strength and durability, the paper detecting arm has been changed to the type used on the NA2 (C210).



T. Ito, Manager
Copier Technical Support

MODEL NAME	V/Hz	DESTINATION	CODE	SERIAL NUMBER
Ges 5170	120/60	USA, Canada	C203 - 12	Service parts only
Ricoh SS950	120/60	USA, Canada	C203 - 17	Service parts only
Ges 5170	220/50	Europe	C203 - 22	Service parts only
Rex 1070	220/50	Europe	C203 - 24	Service parts only
Ricoh SS950	220,240/50	Europe, etc.	C203 - 27	Service parts only
Ges 5130	120/60	USA, Canada	C204 - 12	Service parts only
Ges 5130	120/60	Europe	C204 - 22	Service parts only
Rex 1060	220/50	Europe	C204 - 24	Service parts only
Ricoh SS930	220,240/50	Europe, etc.	C204 - 27	Service parts only
Rex 1140	120/60	Canada	C205 - 10	Service parts only
Ges 5210	120/60	USA, Canada	C205 - 12	Service parts only
Ges 5210	110/60	Taiwan	C205 - 13	Service parts only
Rex 1140	110/60	Taiwan	C205 - 14	Service parts only
Ricoh SS915	120/60	USA, Canada	C205 - 17	Service parts only
Ricoh SS915	110/50	Taiwan	C205 - 19	Service parts only
Ges 5210	220/50	Europe	C205 - 22	Service parts only
Rex 1140	220/50	Europe	C205 - 24	Service parts only
Ricoh SS915	220,240/50	Europe, etc.	C205 - 27	Service parts only

Model		SS930/950/915, Ges5130/5170/5210, Rex1060/1070/1140					Volt/Hz	Date of Modification	Serial Number	
Modified Article		Electrical components on A/D Conversion Board								
Reason for Modification		Parts standardization with the other models								
Draw No.	Old Parts No.	New Parts No.	Description	A.B.C.	Q'ty Used Old → New	Inter-changeability	Part needed for replacement by new part		Parts Catalog	
				Rank			Part No.	Description	Index No.	Page
	14072339		TTL-IC - SN74LS24INS		1 → 0				132	65
		14071600	TTL-IC - SN74LS244NS		0 → 1	X/O				
	16100079		Resistor - 22KΩ 1/8W ± 5%		2 → 1				188	65
		16302472	Resistor - 4.7KΩ 1/8W ± 5%		0 → 1	X/O				

Rank: A : Replace with new parts immediately. B : Replace with new parts at time of repair. C : Replace with new parts at time of overhaul.
 Interchangeability:
 (1) When old and new parts are not mutually interchangeable, use additional parts or an assembly part as indicated in "Parts needed for replacement by new part" to install the new part.
 (2) The mark to the left of the slash indicates whether the old part can be used in the new machine, and the mark to the right indicates whether the new part can be used in the old machine. x = Not interchangeable o = Interchangeable

DETAILS OF MODIFICATION

For the VT2100 (C211) series, some electrical components on the A/D conversion board have been changed. As the same parts are commonly used by other models, the part numbers of the following have been changed :

IC601 : 14072339 to 14071600

R734 : 16100079 to 16302472

The function of the old and new A/D conversion boards is the same (Interchangeability O/O). The suffix at the end of the part number has been modified for identification as follows :

A/D Conversion board : C2038018A to C2038018B

T. Ito, Manager
Copier Technical Support

MODEL NAME	V/Hz	DESTINATION	CODE	SERIAL NUMBER
Ges 5170	120/60	USA, Canada	C203 - 12	Service parts only
Ricoh SS950	120/60	USA, Canada	C203 - 17	Service parts only
Ges 5170	220/50	Europe	C203 - 22	Service parts only
Rex 1070	220/50	Europe	C203 - 24	Service parts only
Ricoh SS950	220,240/50	Europe, etc.	C203 - 27	Service parts only
Ges 5130	120/60	USA, Canada	C204 - 12	Service parts only
Ges 5130	120/60	Europe	C204 - 22	Service parts only
Rex 1060	220/50	Europe	C204 - 24	Service parts only
Ricoh SS930	220,240/50	Europe, etc.	C204 - 27	Service parts only
Rex 1140	120/60	Canada	C205 - 10	From July '91 Production
Ges 5210	120/60	USA, Canada	C205 - 12	From July '91 Production
Ges 5210	110/60	Taiwan	C205 - 13	From July '91 Production
Rex 1140	110/60	Taiwan	C205 - 14	From July '91 Production
Ricoh SS915	120/60	USA, Canada	C205 - 17	From July '91 Production
Ricoh SS915	110/50	Taiwan	C205 - 19	From July '91 Production
Ges 5210	220/50	Europe	C205 - 22	From July '91 Production
Rex 1140	220/50	Europe	C205 - 24	From July '91 Production
Ricoh SS915	220,240/50	Europe, etc.	C205 - 27	From July '91 Production

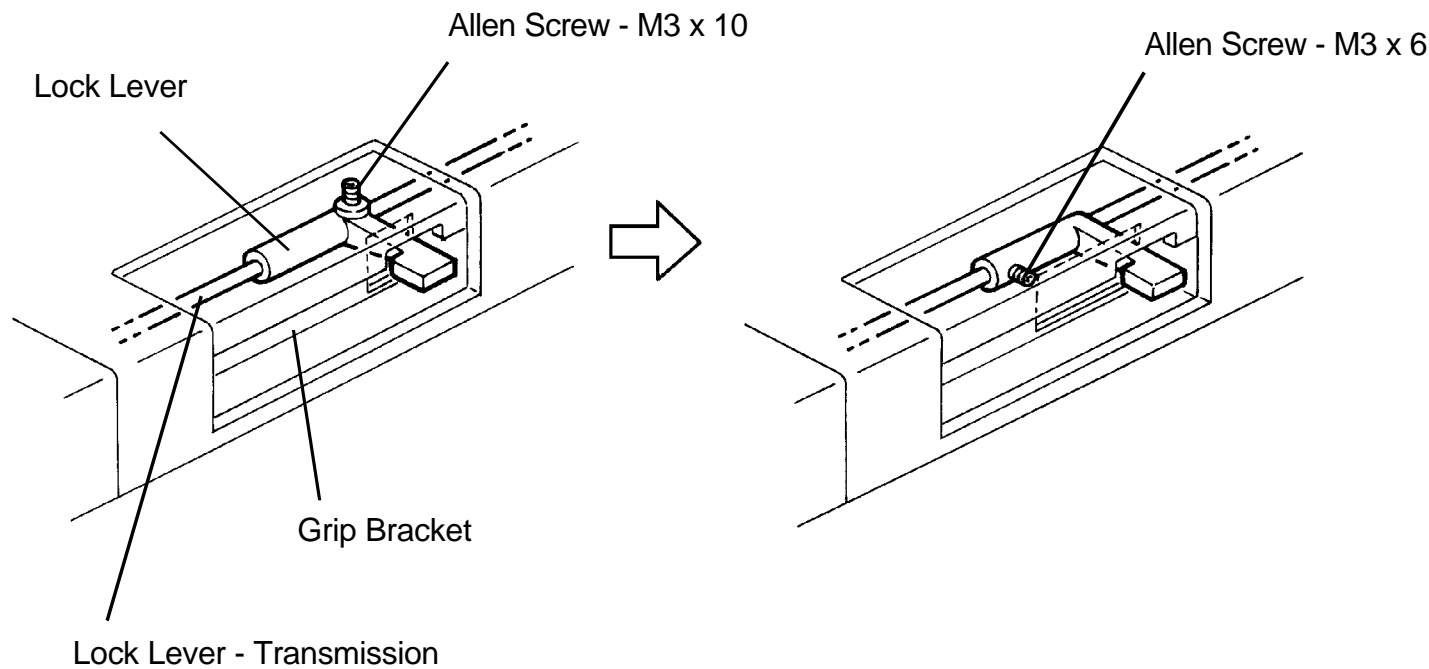
Model		SS930/950/915, Ges5130/5170/5210, Rex1060/1070/1140					Volt/Hz	Date of Modification	Serial Number						
Modified Article		Scanner Unit Lock Lever													
Reason for Modification		To facilitate servicing													
Draw No.	Old Parts No.	New Parts No.	Description	A.B.C.	Q'ty Used Old → New	Inter-changeability	Part needed for replacement by new part		Parts Catalog						
				Rank			Part No.	Description	Index No.	Page					
	C2033031	C2033030	Grip Bracket - Ricoh			X/O			15	43					
	C2033120	C2033118	Grip Bracket - Ges			X/O			15	43					
	C2033032	C2133032	Lock Lever			X/X	X/O as a set		18	43					
	C2033033	C2133033	Lock Lever - Transmission			X/X			16	43					
	05530100E		Allen Screw - M3 x 10			X/O			119	43					
		05530060E	Allen Screw - M3 x 6						119	43					

Rank: A : Replace with new parts immediately. B : Replace with new parts at time of repair. C : Replace with new parts at time of overhaul.
 Interchangeability:
 (1) When old and new parts are not mutually interchangeable, use additional parts or an assembly part as indicated in "Parts needed for replacement by new part" to install the new part.
 (2) The mark to the left of the slash indicates whether the old part can be used in the new machine, and the mark to the right indicates whether the new part can be used in the old machine. x = Not interchangeable o = Interchangeable

DETAILS OF MODIFICATION

In the present machines, it is difficult to tighten the screw fixing the lock lever to the shaft. It is necessary to remove the scanner unit to access the screw.

To facilitate servicing, the direction of the screw has been changed and the cutout of the bracket has been enlarged so that a customer engineer can access the screw from the cutout of the bracket.



T. Ito, Manager
Copier Technical Support

MODEL NAME	V/Hz	DESTINATION	CODE	SERIAL NUMBER
Ges 5170	120/60	USA, Canada	C203 - 12	Service parts only
Ricoh SS950	120/60	USA, Canada	C203 - 17	Service parts only
Ges 5170	220/50	Europe	C203 - 22	Service parts only
Rex 1070	220/50	Europe	C203 - 24	Service parts only
Ricoh SS950	220,240/50	Europe, etc.	C203 - 27	Service parts only
Ges 5130	120/60	USA, Canada	C204 - 12	Service parts only
Ges 5130	120/60	Europe	C204 - 22	Service parts only
Rex 1060	220/50	Europe	C204 - 24	Service parts only
Ricoh SS930	220,240/50	Europe, etc.	C204 - 27	Service parts only
Rex 1140	120/60	Canada	C205 - 10	Service parts only
Ges 5210	120/60	USA, Canada	C205 - 12	Service parts only
Ges 5210	110/60	Taiwan	C205 - 13	Service parts only
Rex 1140	110/60	Taiwan	C205 - 14	Service parts only
Ricoh SS915	120/60	USA, Canada	C205 - 17	Service parts only
Ricoh SS915	110/50	Taiwan	C205 - 19	Service parts only
Ges 5210	220/50	Europe	C205 - 22	Service parts only
Rex 1140	220/50	Europe	C205 - 24	Service parts only
Ricoh SS915	220,240/50	Europe, etc.	C205 - 27	Service parts only

Model	SS930/950/915, Ges5130/5170/5210, Rex1060/1070/1140	Volt/Hz	Date of Modification	Serial Number
Modified Article	Ink Antechamber			
Reason for Modification	Vender change			

Due to vendor change, the ink antechamber has been changed. The interchangeability is O/O.

Old Part Number	New Part Number	Description	Page	Index
C2004810	C2134810	Ink Antechamber	33	31

T. Ito, Manager
Copier Technical Support

MODEL NAME	V/Hz	DESTINATION	CODE	SERIAL NUMBER
Ges 5170	120/60	USA, Canada	C203 - 12	Service Parts Only
Ricoh SS950	120/60	USA, Canada	C203 - 17	Service Parts Only
Ges 5170	220/50	Europe	C203 - 22	Service Parts Only
Rex 1070	220/50	Europe	C203 - 24	Service Parts Only
Ricoh SS950	220,240/50	Europe, etc.	C203 - 27	Service Parts Only
Ges 5130	120/60	USA, Canada	C204 - 12	Service Parts Only
Ges 5130	120/60	Europe	C204 - 22	Service Parts Only
Rex 1060	220/50	Europe	C204 - 24	Service Parts Only
Ricoh SS930	220,240/50	Europe, etc.	C204 - 27	Service Parts Only
Rex 1140	120/60	Canada	C205 - 10	Service Parts Only
Ges 5210	120/60	USA, Canada	C205 - 12	Service Parts Only
Ges 5210	110/60	Taiwan	C205 - 13	Service Parts Only
Rex 1140	110/60	Taiwan	C205 - 14	Service Parts Only
Ricoh SS915	120/60	USA, Canada	C205 - 17	Service Parts Only
Ricoh SS915	110/50	Taiwan	C205 - 19	Service Parts Only
Ges 5210	220/50	Europe	C205 - 22	Service Parts Only
Rex 1140	220/50	Europe	C205 - 24	Service Parts Only
Ricoh SS915	220,240/50	Europe, etc.	C205 - 27	Service Parts Only

Model	SS930/950/915, Ges5130/5170/5210, Rex1060/1070/1140	Volt/Hz	Date of Modification	Serial Number
Modified Article	Drum drive gear			
Reason for Modification	To increase durability			

To increase durability, the material of the drum drive gears (drum side and machine side) have been changed.

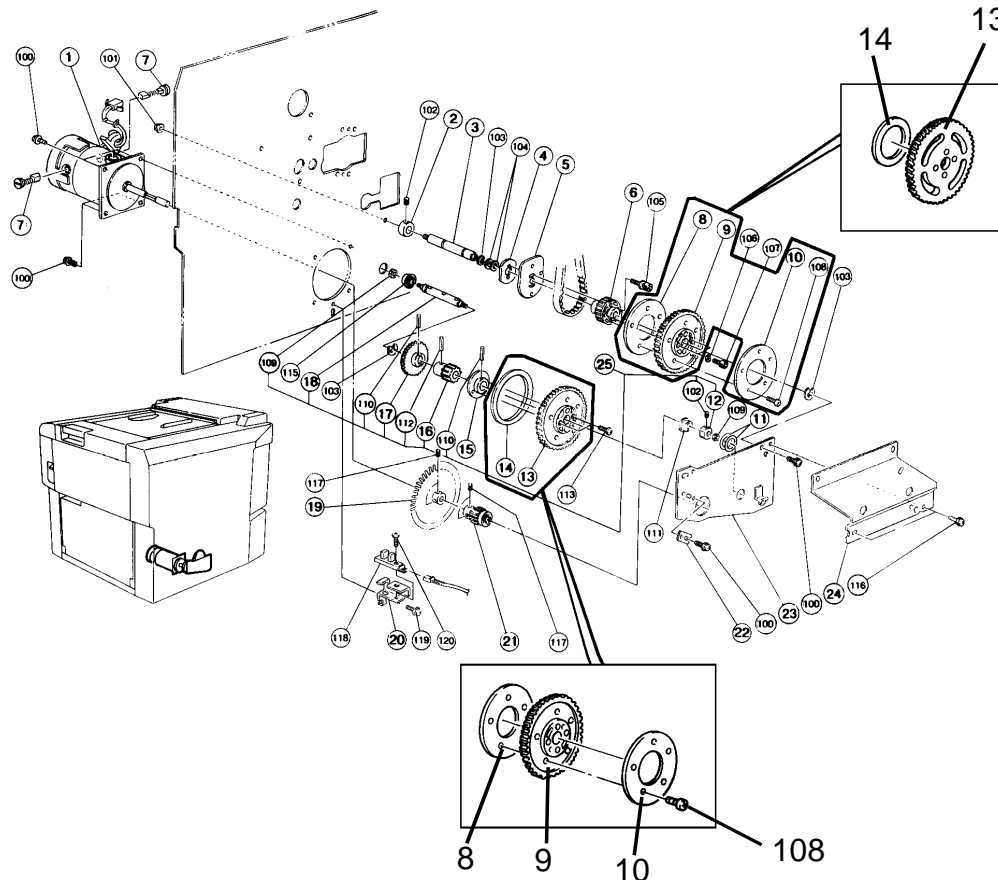
Old Part Number	New Part Number	Description	Interchangeability	Page	Index
C2012218	C2132218	Stud & Gear - 30T	X/O	7	1
C2032330	C2132330	Drum Rrive Gear/Pulley Ass'y	X/O	7	36
C2034560	C2134560	Rear Drum Flange	X/O	35	34

T. Ito, Manager
Copier Technical Support

MODEL NAME	V/Hz	DESTINATION	CODE	SERIAL NUMBER
Ges 5170	120/60	USA, Canada	C203 - 12	Service Parts Only
Ricoh SS950	120/60	USA, Canada	C203 - 17	Service Parts Only
Ges 5170	220/50	Europe	C203 - 22	Service Parts Only
Rex 1070	220/50	Europe	C203 - 24	Service Parts Only
Ricoh SS950	220,240/50	Europe, etc.	C203 - 27	Service Parts Only
Ges 5130	120/60	USA, Canada	C204 - 12	Service Parts Only
Ges 5130	120/60	Europe	C204 - 22	Service Parts Only
Rex 1060	220/50	Europe	C204 - 24	Service Parts Only
Ricoh SS930	220,240/50	Europe, etc.	C204 - 27	Service Parts Only
Rex 1140	120/60	Canada	C205 - 10	Service Parts Only
Ges 5210	120/60	USA, Canada	C205 - 12	Service Parts Only
Ges 5210	110/60	Taiwan	C205 - 13	Service Parts Only
Rex 1140	110/60	Taiwan	C205 - 14	Service Parts Only
Ricoh SS915	120/60	USA, Canada	C205 - 17	Service Parts Only
Ricoh SS915	110/50	Taiwan	C205 - 19	Service Parts Only
Ges 5210	220/50	Europe	C205 - 22	Service Parts Only
Rex 1140	220/50	Europe	C205 - 24	Service Parts Only
Ricoh SS915	220,240/50	Europe, etc.	C205 - 27	Service Parts Only

Model	SS930/950/915, Ges5130/5170/5210, Rex 1060/1070/1140	Volt/Hz	Date of Modification	Serial Number
Modified Article	Parts Catalog			
Reason for Modification	Parts catalog correction			

Please correct the illustration on page 9 as shown below.



T. Ito, Manager
Copier Technical Support

MODEL NAME	V/Hz	DESTINATION	CODE	SERIAL NUMBER
Ges 5170	120/60	USA, Canada	C203 - 12	
Ricoh SS950	120/60	USA, Canada	C203 - 17	
Ges 5170	220/50	Europe	C203 - 22	
Rex 1070	220/50	Europe	C203 - 24	
Ricoh SS950	220,240/50	Europe, etc.	C203 - 27	
Ges 5130	120/60	USA, Canada	C204 - 12	
Ges 5130	120/60	Europe	C204 - 22	
Rex 1060	220/50	Europe	C204 - 24	
Ricoh SS930	220,240/50	Europe, etc.	C204 - 27	
Rex 1140	120/60	Canada	C205 - 10	
Ges 5210	120/60	USA, Canada	C205 - 12	
Ges 5210	110/60	Taiwan	C205 - 13	
Rex 1140	110/60	Taiwan	C205 - 14	
Ricoh SS915	120/60	USA, Canada	C205 - 17	
Ricoh SS915	110/50	Taiwan	C205 - 19	
Ges 5210	220/50	Europe	C205 - 22	
Rex 1140	220/50	Europe	C205 - 24	
Ricoh SS915	220,240/50	Europe, etc.	C205 - 27	